

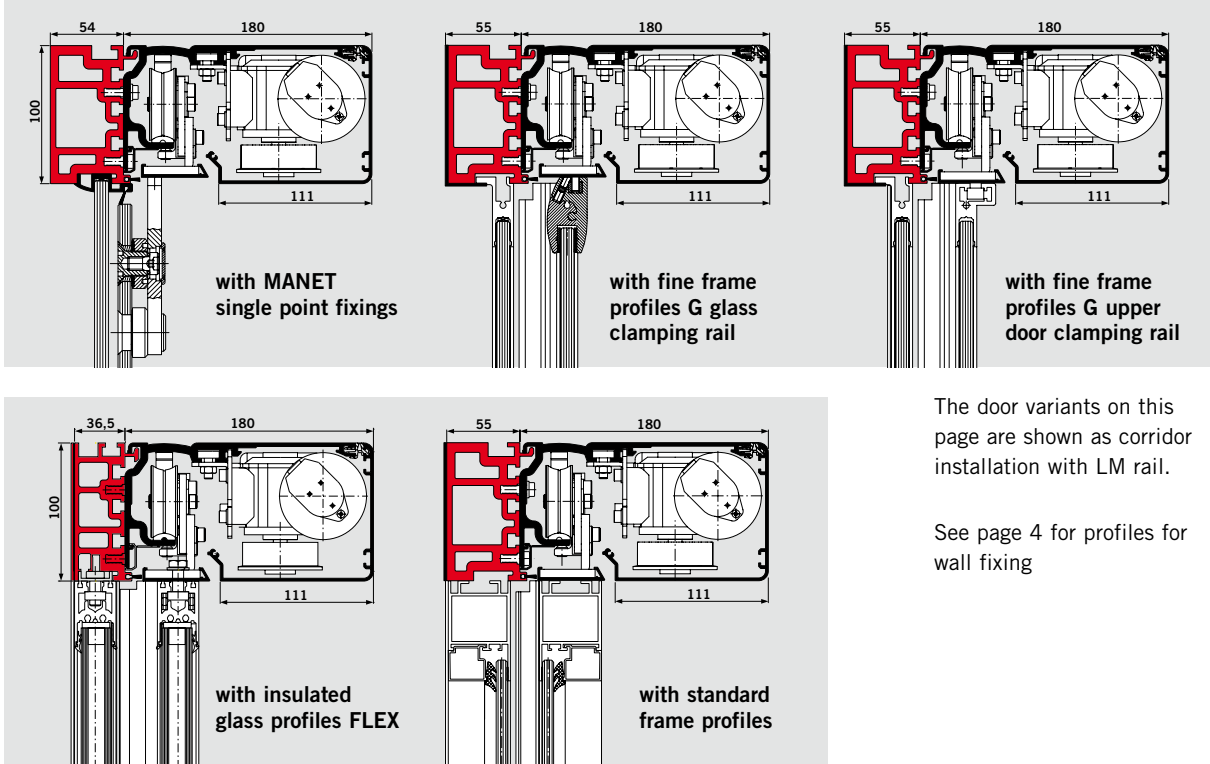


ES 75

Sliding door operator

ES 75 – the drive for individual door design

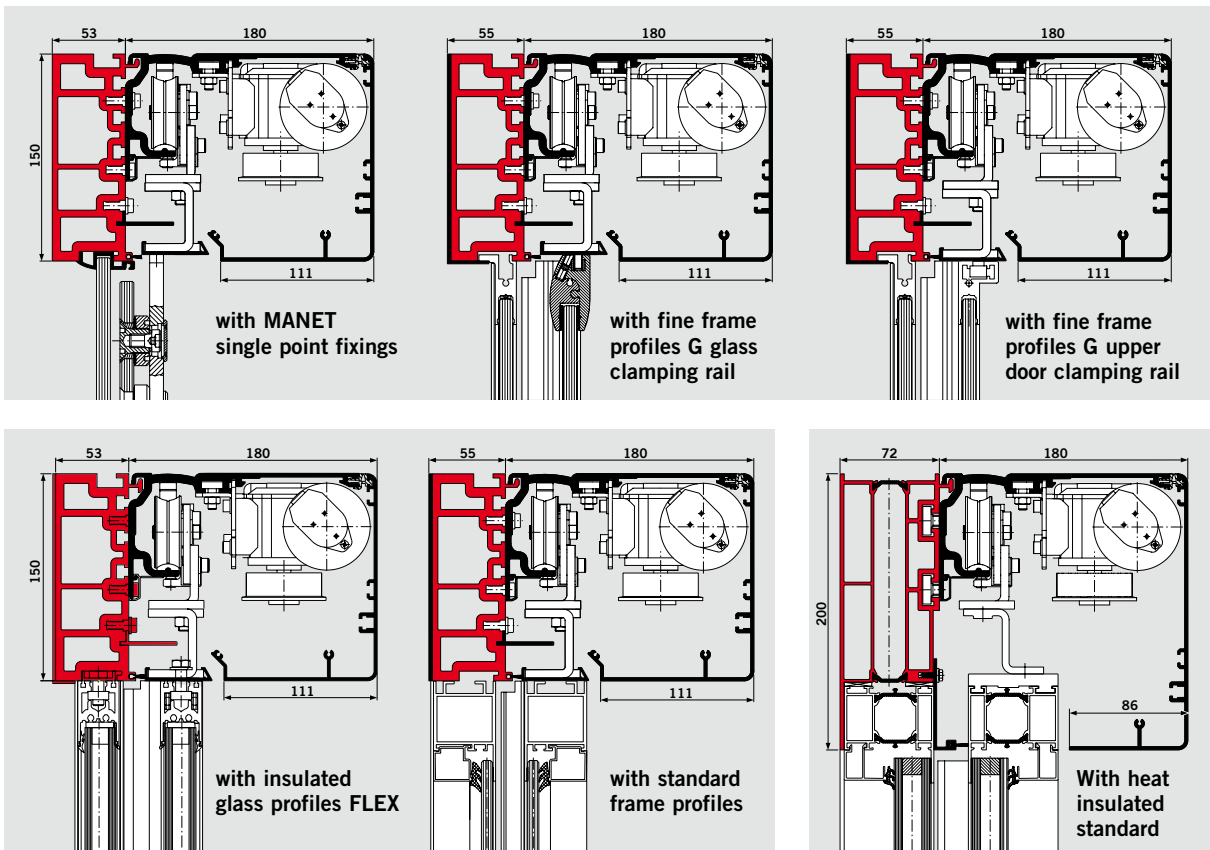
Door variants with ES 75, 100 mm height



The door variants on this page are shown as corridor installation with LM rail.

See page 4 for profiles for wall fixing

Door variants with ES 75, 150 mm height and special version "heat insulated profile"



Flexible, simple and modular

It is time to rethink sliding door operators.

The new **ES 75** in the attractive DORMA design stands for simple automation of sliding door units in all areas of application.

It is the innovative drive system for door units up to 2 x 75 kg, is of modular construction with world-wide tried and trusted electronics and new mechanics comprising only a few components and can be used for both 100 and 150 mm height.

The prefabricated **MiniDrive Unit** is also impressive; it is tested industrially with all the necessary electrical and electronic components.

The optimum solution for all customers who value simply assembly, low storage costs and ease of maintenance.

High quality, excellent cost-effectiveness

DORMA offers a particularly cost-effective sliding door operator in the tried and trusted DORMA quality with the new **ES 75**. The ES 75 sliding door operator is suitable for vastly differing applications and can be combined with all customary door profiles. It offers a number of adjustment possibilities, has excellent operation characteristics and is easy to maintain.

The self-learning microprocessor controller guarantees reliable operation, ensures dynamic and smooth movements and fulfils the highest safety requirements according to all European and German standards.

The setting of all parameters

is carried out quickly and easily via an integrated display with push-buttons. Operation is extremely simply and menu-assisted. Additional programming equipment is not required.

DORMA supplies, as the optimum supplement, program switches and pulse senders as well as door profiles specially matched to the drive.

Features and advantages

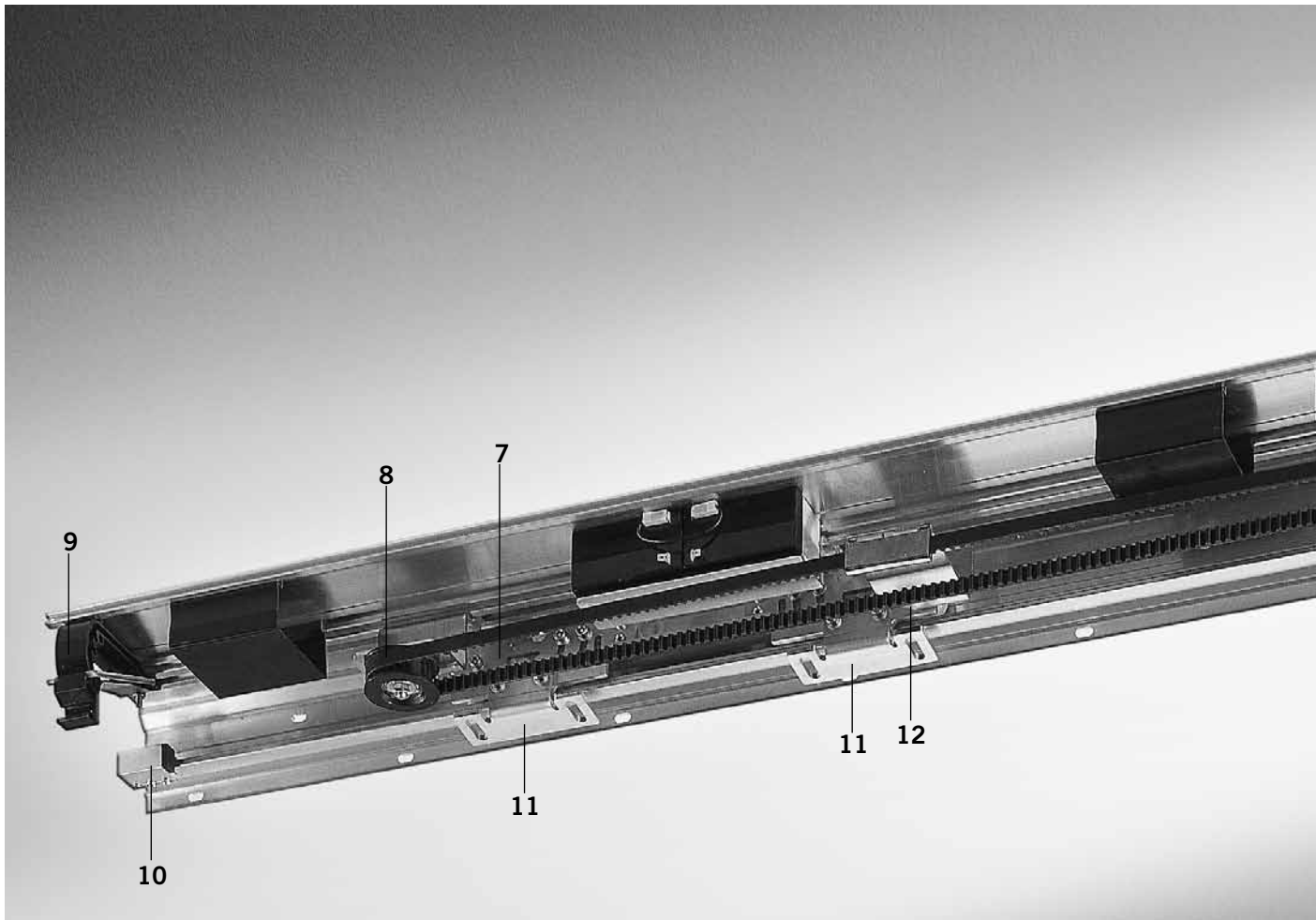
- Modular, flexible system
- For door units up to 2 x 75 kg
- Problem-free adaptation to individual requirements
- Low number of system components
- Industrially prefabricated and tested **MiniDriveUnit**
- Easy assembly of drive systems
- Multi-functional control, commissioning without programming equipment
- Easy fixing and commissioning
- Can be combined with all customary door profiles
- Reliable function and high safety standards
- Smooth movement
- Complete program at program switches
- Numerous standard connections
- Reliable investment due to compliance with all relevant European standards

Door parameters	ES 75
1-panel sliding door	
– Transit width LW	700 – 3000 mm
– Door panel weight, max.	1 x 85 kg
2-panel sliding door	
– Transit width LW	800 – 3000 mm
– Door panel weight, max.	2 x 75 kg

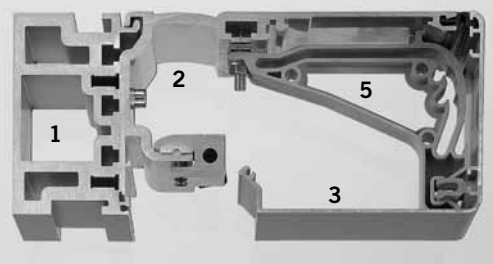
Technical data	
Height	100 und 150 mm
Depth	180 mm
Opening and closing force max. 150 N	●
Opening speed (incremental setting)	10 – 50 cm/s
Closing speed (incremental setting)	10 – 40 cm/s
Hold-open time	0,5 – 30 sec.
Mains voltage, frequency	230 V, 50/60 Hz
Power consumption	180 W
International protection	IP 20
Tested according to low-voltage guidelines	●
Manufacture according to ISO 9001:2000	●

Control unit	
Microprocessor controller	●
Functional programs	
– Off	●
– Automatic	●
– Permanent open	●
Emergency off	●
Self-learning	●
Automatic reversing	●
Connection for light barriers (max. 2 pairs)	●
Setting of basic parameters via integrated display and push-buttons	●
24 V output for external consumption	●
Read-out error store with error codes	●

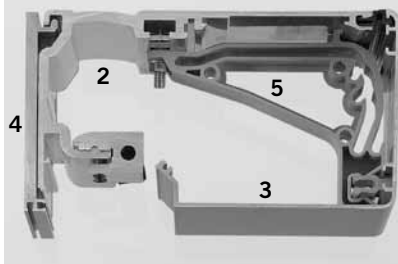
- standard
- optional



Profiles for corridor installation, 100 mm



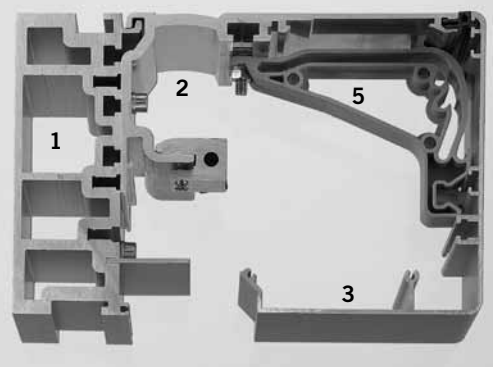
Profiles for wall fixing, 100 mm



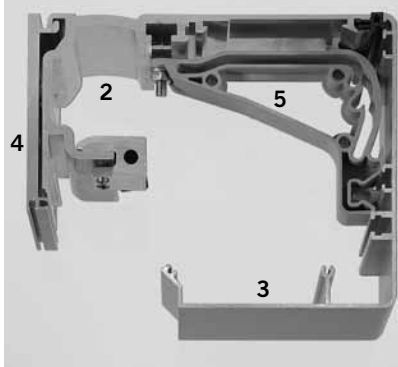
Profile for 100 mm and 150 mm height, for corridor or wall fixing guarantees adaptation for all possible applications.

The mechanical basic system, with a low number of components, is the same for both heights.

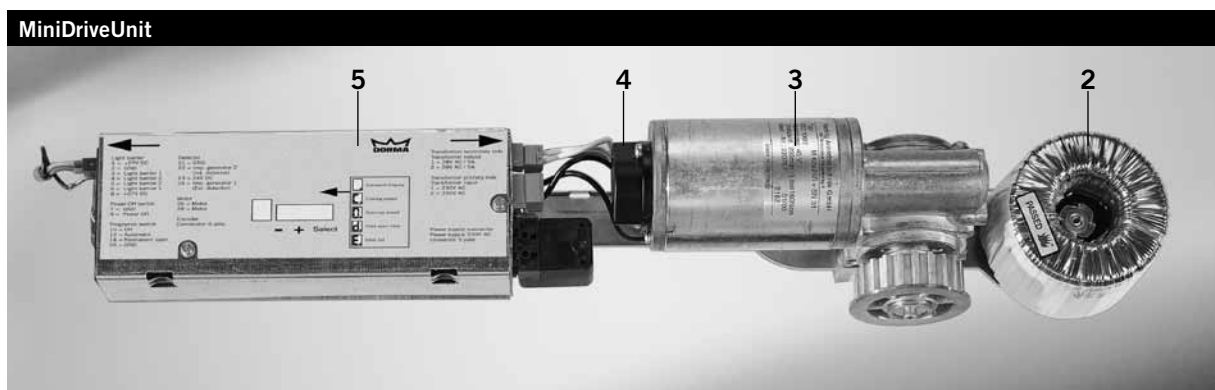
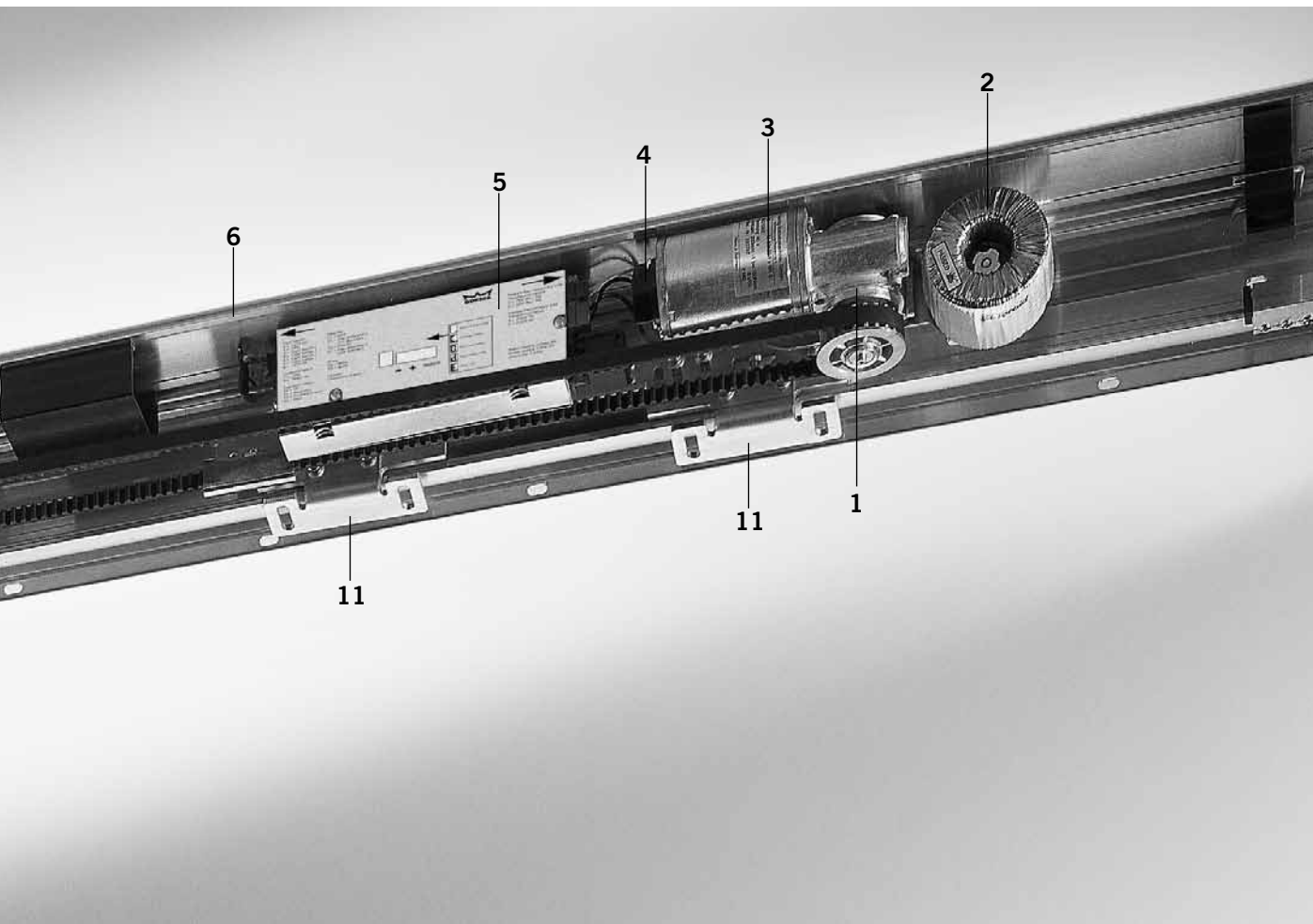
Profiles for corridor installation, 150 mm



Profiles for wall fixing, 150 mm



- 1 LM rail
- 2 Basic drive profile
- 3 Interior cover in 100 or 150 mm height
- 4 Wall fixing profile
- 5 Service cover holder



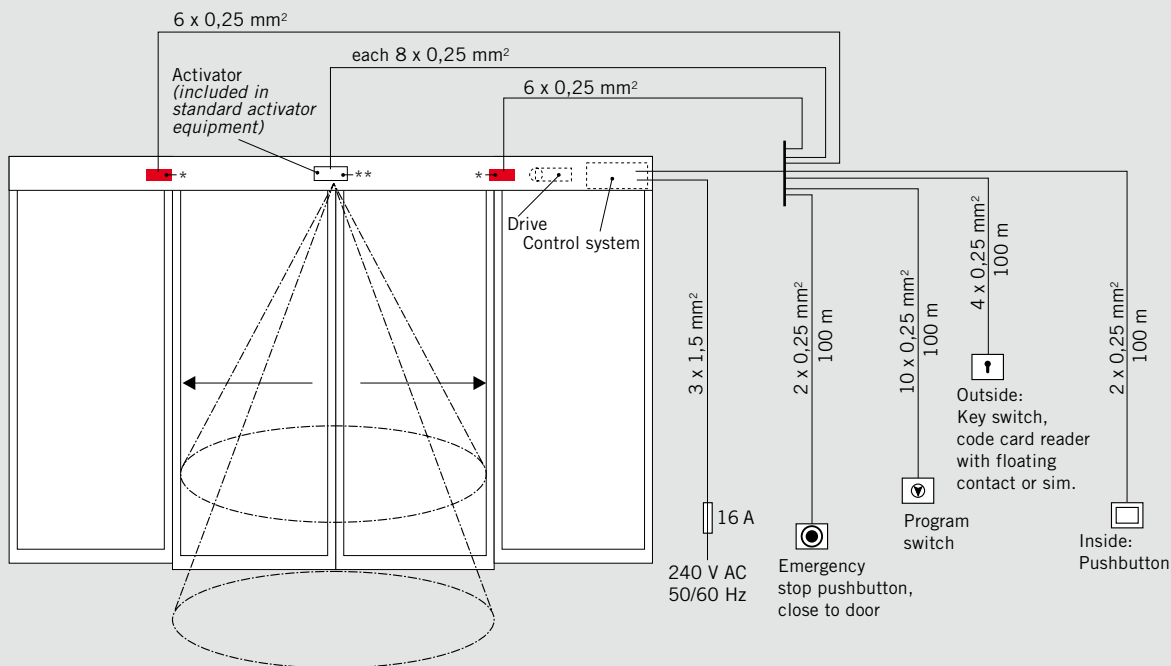
The heart of the **ES 75**: the prefabricated **MiniDriveUnit** with all the electrical components necessary is industrially tested and facilitates the assembly and maintenance of drive units.

The control unit has proven its worth a thousand times in all imaginable fields of application throughout the world.

Components

- | | |
|--------------------------------|---|
| 1 MiniDriveUnit | 8 Deflection roller |
| 2 Transformer | 9 Service cover holder |
| 3 Motor | 10 End stopper |
| 4 Decoder | 11 Door suspension with adjustment device |
| 5 Control unit | 12 Belt connection |
| 6 Run and installation profile | |
| 7 Carriage | |

Connections



*Sensorik zur Überwachung der Nebenschließkanten gemäß DIN 18650
 **Sensorik zur Überwachung der Hauptschließkanten gemäß DIN 18650

Program switch

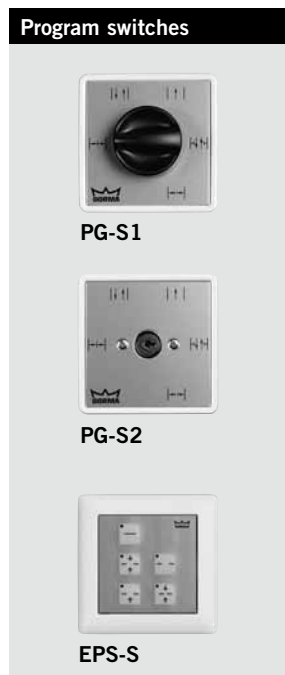
When combining the system with a program switch out of the DORMA accessory range, the automatic door system even meets individual requirements and offers easy handling.

These program switches are available in various designs have been conceived for all kinds of demands.

Furthermore they offer various options, from a mechanical to a full-electronic version alternatively also lockable via Euro profile half-cylinder or in a full-electronic way via code.

- Up to 3 different functions: Off, Automatic, Permanent Open
- Electronic program switches in System 55 design to cope with the highest aesthetic demands

Program switches for sliding door operators



Designation	Specification	Installation system	Order No.
PG-S1	5-position, aluminium, white, UP, 80 x 80 x 40 mm	Gira S-Color	19135401150
PG-S2	5-position, lockable, aluminium, white, flush-mounting, 80 x 80 x 40 mm	Gira S-Color	19135602150
EPS-S	Full-electronic program switch in System 55 design, 5-position, lockable via code or additional key switch TL-ST S55, membrane keypad, aluminium-coloured, white, flush-mounting, 80 x 80 mm	System 55	16556901150
For header installation**	5-position, lockable, also suitable for FST systems		25006014150

*no illustration

Pushbuttons



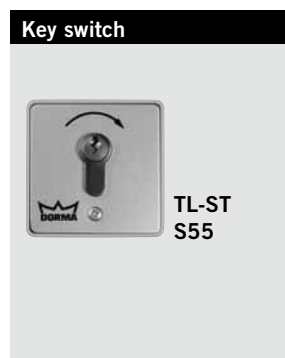
Pushbuttons

Designation	Specification	Installation system	Order No.
Pushbutton	Single-pole changeover contact, standard frame, white, flush-mounting	System 55	19144701170



Key switch

Designation	Specification	Order No.
KT 3-1	1 NO contact, with Euro profile half-cylinder (can be replaced by any half-cylinder of a master-key system), you can only withdraw the key when it is in zero position, aluminium, metal, 75 x 75 x 60 mm	
KT 3-1 AP	surface-mounting	05054631332



Key switch TL-ST key switch out of STA range

Designation	Specification	Installation system	Order No.
TL-ST S55	Switch with single-pole changeover contact, for Euro profile half-cylinder by others to DIN 18252, locking cam centre 30 – 32.5 mm, overall length 40.5 – 43,5 mm, Locking cam position left (90°), incl. cover for System 55, not suitable for box for surface-mounting, not including Euro profile half-cylinder, not including frame		
TL-ST S55 W	white	System 55	56330710
TL-ST S55 S	silver	System 55	56330701
TL-ST S55 A	anthracite	System 55	56330715

Switches



Switches

Designation	Specification	Installation system	Order No.
On / Off switch	white, aluminium, flush-mounting, 80 x 80 mm	Gira S-Color	19135403150
Radar switch	„MAGIC SWITCH”, proximity-type radar switch responds to movement, for flush-mounting, 80 x 80 mm		05076831332






Key switches

Designation	Specification	Order No.
KT 3-2	1 NO contact with Euro profile half-cylinder, can be replaced by any master key system half-cylinder, key only retractable in neutral position, interchangeable cover, lettering “Ein, Aus” (German for “On/Off”), aluminium, for flush-mounting: 125 x 100 mm, for surface-mounting: 70 x 90 mm	05054731332
KT 3-2.1*	2 changeover contacts, with Euro profile half-cylinder, replaceable by any master-key system half-cylinder, key only retractable in neutral position, lettering “Ein, Aus” (German for “On/Off”), aluminium, for flush-mounting: 125 x 100 mm, for surface mounting: 70 x 90 mm	05032631332

*no illustration



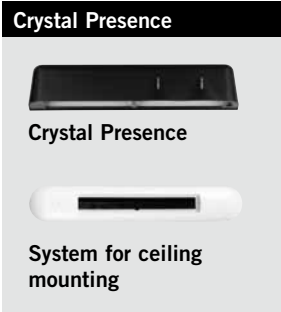

Emergency pushbutton

Emergency pushbutton	Designation	Specification	Installation system	Order No.
 <p>NAT 1</p>		<p>To interrupt the automatic movement of the door. Emergency pushbutton (Function: Emergency Off) for automatic door operators. Manufactured according to ZH 1/494 (German Guidelines for power-operated windows, doors and gates) and BGR 232 (German Employer's Liability Insurance Association Rule) as well as DIN 18650 (German Industrial Standard). Red knob with yellow centre insert. Maximum load current: max. 10 A at 230 V AC.</p>		
 <p>TL-N S55</p>	NAT 1	NO contact: 1, NC contact: 1, white frame, flush-mounting, 80 x 80 mm	System 55	90400025
	NAT 2*	Function: "Emergency Open" with green knob, NO contact: 1, NC contact: 1, Maximum load current: 10 A at 230 V AC, white frame, flush-mounting, 80 x 80 mm	System 55	90400035
 <p>NAT 4</p>		<p>Highly-illuminated emergency pushbutton environment with visual locking status indication, optical and acoustic alarm via yellow flashlight and integrated alarm siren, sabotage-proof, behind glass, not including frame</p>		
	TL-N S55	NO contact: 1, NC contact: 1, Maximum load current: 1 A at 24 V DC, flush-mounting, 80 x 80 mm	System 55	56330500
	NAT 3*	Behind glass, NO contact: 1, NC contact: 1 for flush-mounting, 120 x 87 mm		90400023
	NAT 4	NO contact: 1, NC contact: 1, for surface-mounting, 68 x 68 mm		05027031332




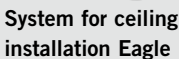



* no illustration

Infrared detectors

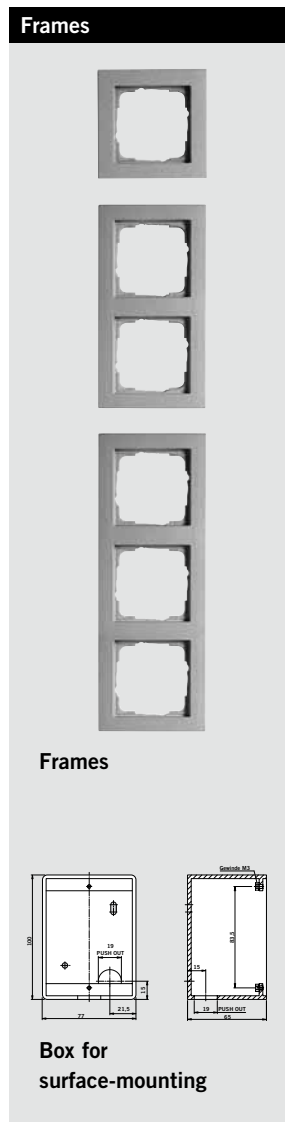
These detectors are designed to safeguard automatic doors by detecting moving people or objects

Light barriers		Designation	Specification	Order No.
 <p>LB 03</p>			To safeguard the passage area of sliding doors by detecting the presence of people and objects	
	LB 03		Counter light barrier comprising transmitter and receiver	05102331332
Active infrared detector		Designation	Specification	Order No.
 <p>AIR 30/31 AIR 30-H/31</p>			Active infrared system to safeguard the passage area and the secondary closing edges of sliding doors. Designed to detect the presence of people and objects	
	AIR 30/31		Including background evaluation, black	16503601170
	AIR 30-H/31		Including background suppression, black	16503701170
	WH 30		Rain protection cover, black	16500901170
Crystal Presence		Designation	Specification	Order No.
 <p>Crystal Presence</p> <p>System for ceiling mounting</p>			– For improved protection of passage areas and secondary closing edges of sliding doors – Designed to detect the presence of people and objects	
	Crystal Presence		Presence detection curtain for improved protection thanks to exactly adjustable detection range, black	16504301170
	System for ceiling mounting		for Crystal Presence, white	05094731332
IRIS ONE		Designation	Specification	Order No.
	IRIS ONE		DIN 18650, suitable for secondary closing edges	16588801170

Radar motion detectors

Radars motion detector	Designation	Spezifikation	Colour	Order No.
 <p>Eagle</p>	<p>The user-friendliness of automatic doors depends a lot on what kind of activator is used and its construction. The DORMA sensor range combines the flexibility that is required for the different fields of application with reliability and the highest level of user friendliness. Furthermore it effectively detects moving people or objects in order to activate (open) automatic doors.</p>			
 <p>Merkur</p>	<p>Standard motion detectors</p>			
	Eagle 2	Standard	black	16503201170
			white	16503203170
			silver	16507502170
 <p>Merkur M</p>	Standard	black	16537501170	
	<p>Motion detectors with direction recognition</p>			
	<p>Direction recognition for perfectly controlled opening and closing cycles.</p>			
 <p>System for ceiling installation Eagle</p>	Eagle 1	Direction recognition	black	16503101170
			white	16503103170
			silver	16503102170
 <p>Rain protection cover Eagle</p>	Merkur	Cross-traffic suppression with direction recognition	black	16532201170
 <p>Special bracket (Eagle)</p>	Merkur SE/R	Self-monitoring, direction recognition with cross traffic suppression	black	16532201170
 <p>System for ceiling installation (Merkur)</p>	<p>Accessories for Eagle detectors</p>			
		System for ceiling mounting	white	16502901170
		Rain protection cover	transparent	05090731332
		Infrared remote control to adjust all radar motion detectors	black	16503001170
		Special bracket, for projections of up to 500 mm	black	19138903150
	<p>Accessories for Merkur-type detectors</p>			
		System for ceiling installation (Merkur)	white	05102231332

Frames and boxes for surface-mounted pushbuttons and switches



Designation	Specification	All dimensions in mm (W x H x D)	Installation system	Order No.
System 55 Cover frame (STA range)				
FR-S55 1	Single-type frame, Standard 55, white	80.7 x 80.7	System 55	56391110
FR-S55 2	Double-type frame, Standard 55, white	151.8 x 80.7	System 55	56391210
FR-S55 3	Triple-type frame, Standard 55, white	223.3 x 80.7	System 55	56391310
System E2				
FR-E2W 1	Single-type frame, E2 55, white	80.8 x 80.8	System 55	56392110
FR-E2W 2	Double-type frame, E2 55, white	151.9 x 80.8	System 55	56392210
FR-E2W 3	Triple-type frame, E2 55, white	223.4 x 80.8	System 55	56392310
FR-E2S 1	Single-type frame, E2 55, silver	80.8 x 80.8	System 55	56392101
FR-E2S 2	Double-type frame, E2 55, silver	151.9 x 80.8	System 55	56392201
FR-E2S 3	Triple-type frame, E2 55, silver	223.4 x 80.8	System 55	56392301
FR-E2A 1	Single-type frame, E2 55, anthracite	80.8 x 80.8	System 55	56392115
FR-E2A 2	Double-type frame, E2 55, anthracite	151.9 x 80.8	System 55	56392215
FR-E2A 3	Triple-type frame, E2 55, anthracite	223.4 x 80.8	System 55	56392315

Please see STA price list for further frames and versions.

Designation	Specification	All dimensions in mm (W x H x D)	Installation system	Order No.
System 55 Boxes for surface-mounting for Standard 55 frames				
ST-AP 55-1*	Single-type frame, pure white, RAL 9010	81.0 x 52.5 x 44.5	System 55	515853332
ST-AP 55-2*	Double-type frame, pure white, RAL 9010	152.0 x 81.0 x 44.5	System 55	515863332
ST-AP 55-3*	Triple-type frame, pure white RAL 9010	224.0 x 81.0 x 44.5	System 55	515873332
Box for surface-mounting	For mechanical program switch PG-FST2 with Euro profile half-cylinder	Single-type frame, white 100 x 80 x 65	Deutsche Solenoid	19142201170

* no illustration

DORMA GmbH + Co. KG
DORMA Platz 1
D-58256 Ennepetal
Phone +49 2333/793-0
Fax +49 2333/793-495

Automatic Division worldwide

Region Australasia

Australia
DORMA Automatics Pty. Ltd.
Phone +61 3 97964111
www.dorma.com.au

New Zealand
DORMA HORIZON NZ LTD
Phone +64 9 573-1999
www.dorma.com.nz

Region Central Europe

Belgium
DORMA foquin N.V./S.A.
Phone +32 50 451570
www.dorma.be

Germany
DORMA Automatic
GmbH + Co. KG
Phone +49 2333 793-0
www.dorma.de

Luxembourg
Luxembourg Subsidiary
Automatic
Phone +49 2333 793-216
www.dorma.de

Netherlands
DORMA Nederland B.V.
Phone +31 488 418100
www.dorma.nl

Switzerland
DORMA Schweiz AG
Phone +41 718864646
www.dorma.ch

Region Emerging Markets

Bulgaria
DORMA-BALKAN EOOD
Phone +359 2 9714 904
www.dorma.com

Greece
DORMA Representation Greece
Phone: +30 21 09944388
www.dorma.com

India
DORMA Door Controls India
Pvt. Ltd.
Phone +91 44 28585097
www.dorma.com

Israel
DORMA GmbH + Co. KG
Phone +49 2333 793-0
www.dorma.com

Poland
DORMA Polska sp. z o.o.
Phone +48 22 7365900
www.dorma.pl

Russia
DORMA Russia
Phone +7 495 981-1433
www.dorma.rus

South Africa
DORMA Door Controls (Pty.) Ltd
Phone +27 11 8300280
www.dorma.com

Turkey
DORMA Kapi Kontrolleri Ltd.
Sti Sahraticedid Mah.
Phone: +90 216 3600056
www.dorma.com

Ukraine
DORMA Sales Representative
Vasyl Stuchylin
Phone +38 44 5183526
www.dorma.com

Region China

China
DORMA China Ltd.
Phone +86512 67612481
www.dorma.com.sg

Hong Kong
DORMA Door Controls (Suzhou)
Co., Ltd.
Phone +852 25034632
www.dorma.com.sg

Region Far East

Indonesia, Japan, Malaysia,
Vietnam
DORMA Emerald Entrance
Systems Pte Ltd
Phone +65 459 5733
www.dorma.com.sg

Philippines
DORMA Door Controls Pte. Ltd.
Phone +632 893 4077/8
www.dorma.com.sg

Singapore
DORMA Far East Pte. Ltd.
(Sales)
Phone +65 64151898
www.dorma.com.sg

South Korea
DORMA Emerald Entrance
Systems Pte Ltd
Phone +65 459 5733
www.dorma.com.sg

Taiwan
DORMA Door Controls Pte. Ltd.
Phone +886 2 9182987
www.dorma.com.sg

Region France

France
DORMA Accueil S.A.S.
Phone +33 4 79348924
www.dorma.fr

Region Gulf

Saudi Arabia
DORMA Arabia Automatic
Doors Ltd.
Kingdom of Saudi Arabia
Phone +9663 847 2394
www.dorma.com

United Arab Emirates
DORMA Gulf Door Controls
FZE
Dubai, United Arab Emirates
Phone +971 48 839014
www.dorma.com

Region North America

Canada
DORMA Door Controls
Phone +1 905 6701281
www.dorma.com

Mexico
DORMA México, S. de R.L.
de C.V.
Phone +52 55 5272-6937
www.dorma.com

USA
DORMA Automatics Inc.
Phone +1 847 295-2700
www.dorma-usa.com

Region Scanbalt

Denmark
DORMA Danmark A/S
Phone +45 44 543000
www.dorma.dk

Estonia
DORMA Representation
Estonia
Phone +372 6707064
www.dorma.com

Finland
DORMA Finland Oy
Phone +358 9 8789130
www.dorma.fi

Lithuania
DORMA Norge AS
Phone +47 23 176800
www.dorma.com

Norway
DORMA Norge AS
Phone +47 23 176800
www.dorma.no

Sweden
DORMA Sverige AB
Phone +46 31 289520
www.dorma.se

Region South America

Argentina
DORMA Sistemas de
Controles para Portas Ltda
Phone +54 11 45051032
www.dorma.com

Brazil
DORMA Sistemas de Controles
para Portas Ltda.
Phone +55 11 46899128
www.dorma.com.br

Region South-East Europe

Austria
DORMA AKS
Automatic GmbH
Phone +43 6225 8636-0
www.dorma.at

Croatia
DORMA Croatia d.o.o.
Phone +385 0 1 46 06 944
www.dorma-croatia.hr

Czech Republic
DORMA dverni technika CR,
s.r.o.
Phone +420 2 671321-78
www.dorma.com

Hungary
DORMA AKS Automatic GmbH
Phone +36 1 2065127
www.dorma.com

Romania
DORMA Romania S.R.L.
Phone +40 31 806 916 0
www.dorma.com

Slovakia
DORMA Slovensko spol. s.r.o.
Phone +421 2 50221-283
www.dorma.com

Slovenia
DORMA Representation
Slovenia ICL d.o.o.
Phone +386 2 5302010
www.dorma.com

Region South Europe

Italy
DORMA Italiana S.r.l.
Phone: +39 039 244031
www.dorma.it

Portugal
DORMA Portugal
para Portas, Lda.
Phone +351 252 860490
www.dorma.com

Spain
DORMA Ibérica, S.A.
Phone +34 91 8757850
www.dorma.es

Region UK/Ireland

Ireland
DORMA Ireland Limited
Phone +353 1 295-8280
www.dorma.com

Great Britain
DORMA UK Limited
Phone +44 1462 477600
www.dorma-uk.co.uk



Door Control



Automatic



**Glass Fittings
and Accessories**



**Security/Time
and Access (STA)**



Movable Walls